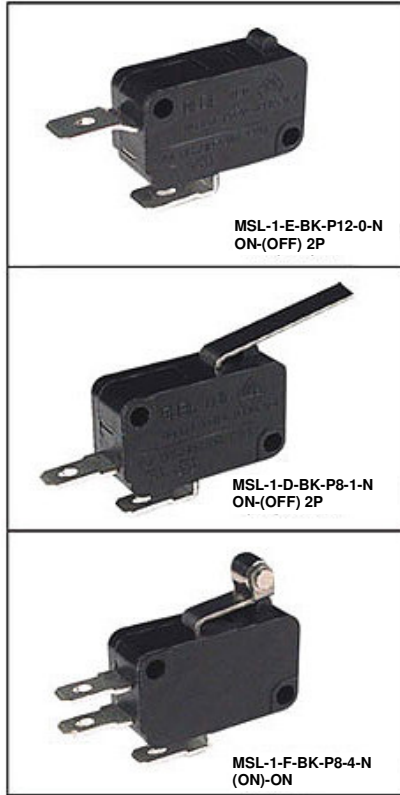


Micro Switch (MSL-1 Series)

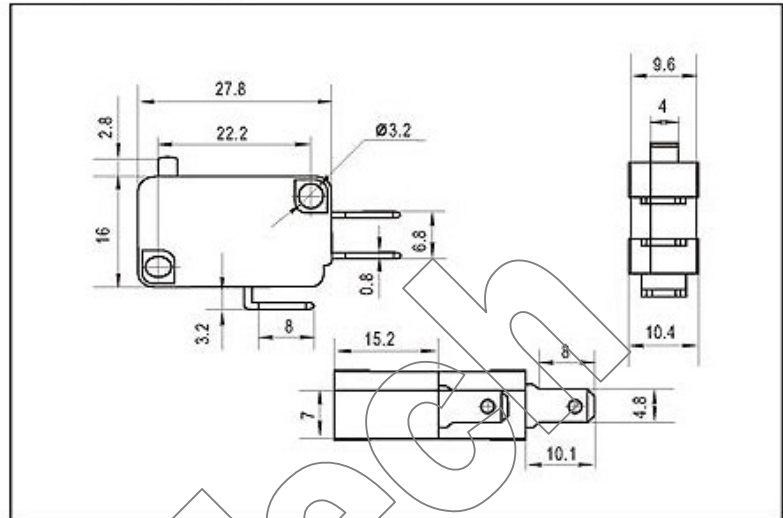


SPECIFICATIONS

16 (4) A 250VAC T125 1E4
 16A 125VAC/250VAC T105
 (S) Rating
 6 (4) A 125VAC T125 5E4
 6A 125VAC/250VAC T105 1E4



ROHS Compliance



EXPLANATION MODEL NUMBER

MSL - 1 - D - BK - P8 - 0 - K

